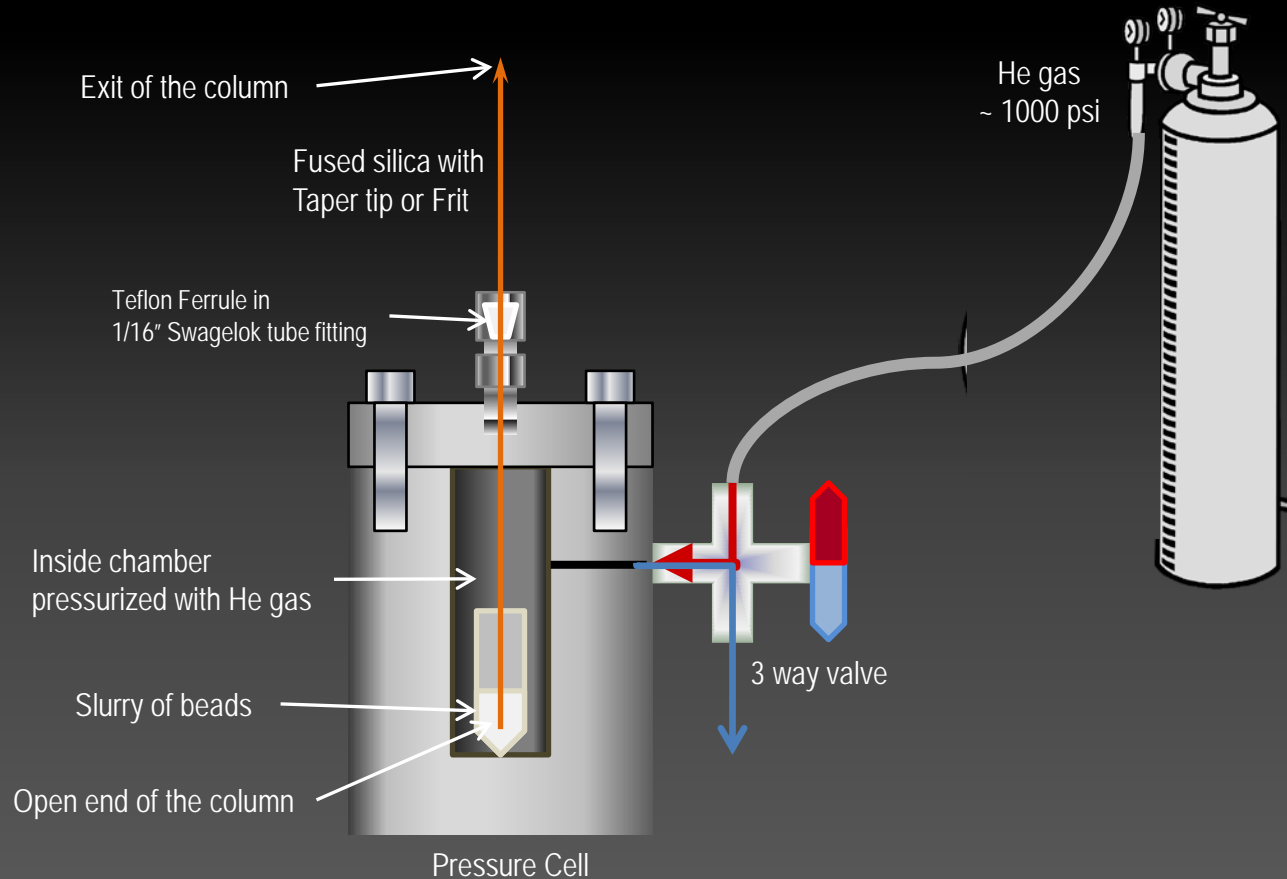


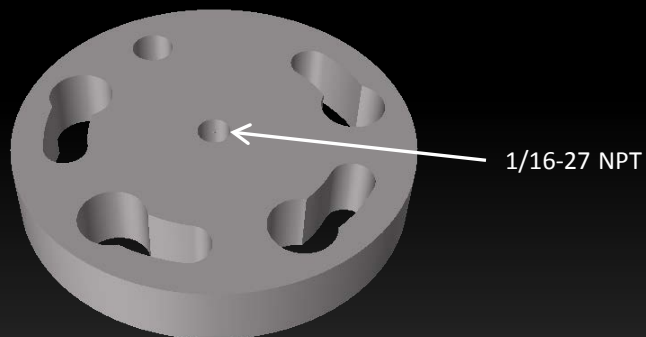
# Pressure cell



Note the designs described here are based on cell designs from Mike MacCoses lab, University of Washington and commercial cells (Brechtbuehler Inc.)

# Pressure cell machined parts

To view *ems* files go to:  
[www.emachineshop.com](http://www.emachineshop.com)  
and download free CAD software



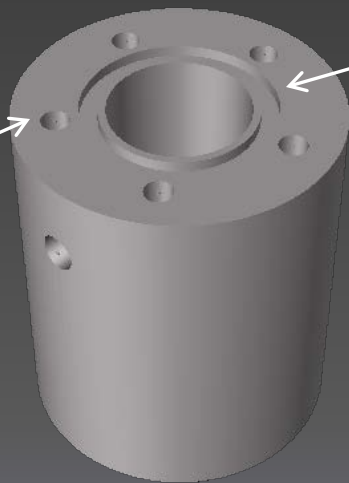
1/16-27 NPT

*UWPR\_PressureCellLid.ems*



Viton O-Ring

5/16-18 UNC

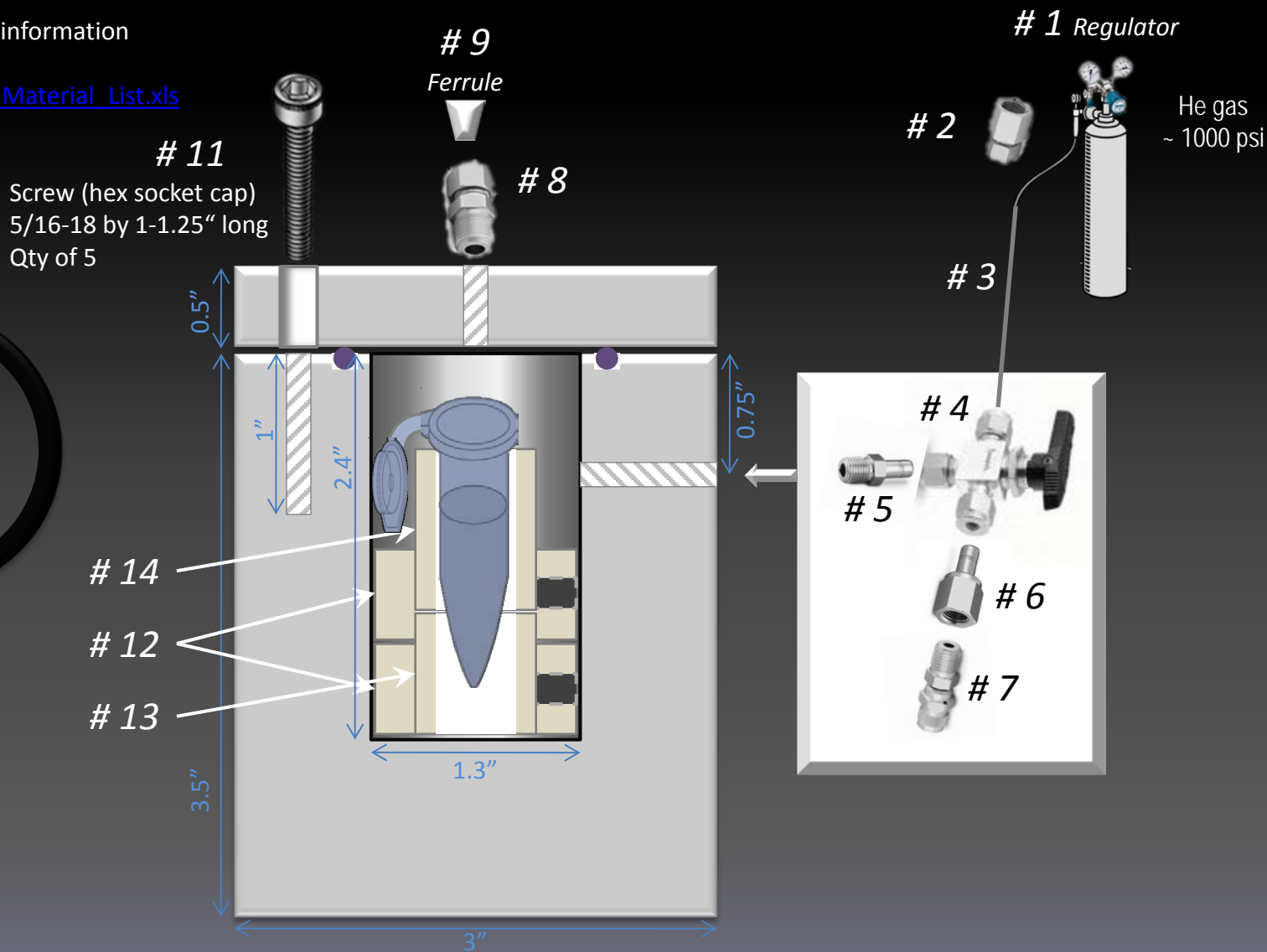


*UWPR\_PressureCellBody.ems*

# Pressure cell

For part # and vendor information  
download:

[UWPR Pressure Cell Material List.xls](#)





How to pack a capillary column

<http://www.benchfly.com/video.php?video=96>

How to Bomb-load Capillary Tips or Frits for LC/MS

<http://www.benchfly.com/video.php?video=104>

How to Pull a Capillary Tip for LC/MS

<http://www.benchfly.com/video/102/how-to-pull-a-capillary-tip-for-lc-ms/>

# Commercial Pressure Cells



**Brechtbuehler**

<http://www.brechtbuehler.com/Pressure-cell.878.0.html>



**Nanobaume**

<http://www.westernfluids.net/Nanobaume.html>



**Next Advance**

<http://www.nextadvance.com/product/capillary-loader-bomb-pressure-injection-cell-lc-ms-216.cfm>